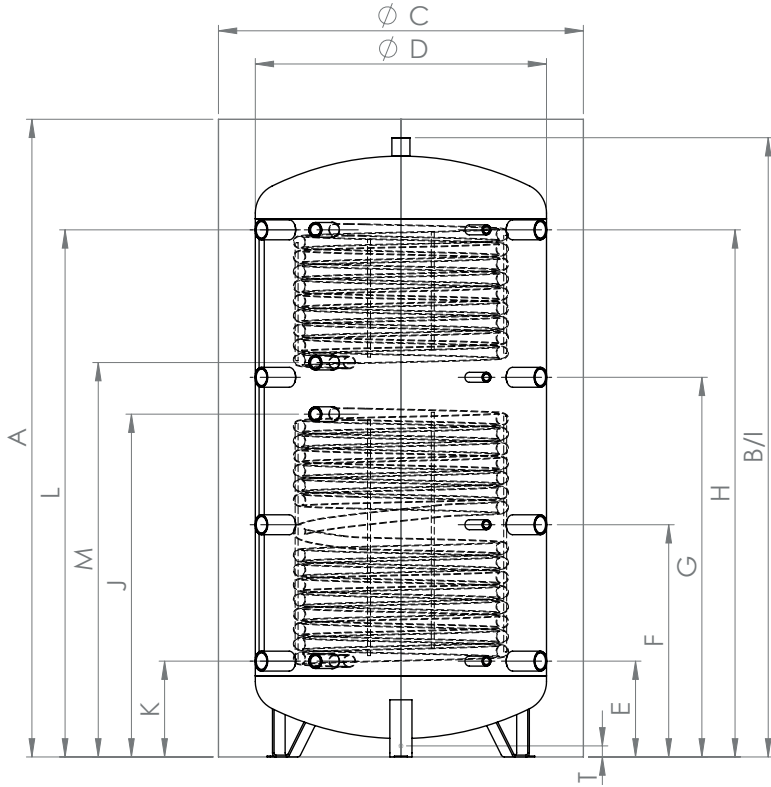
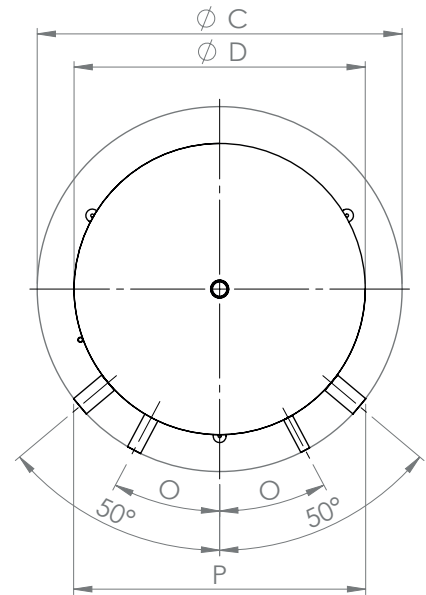




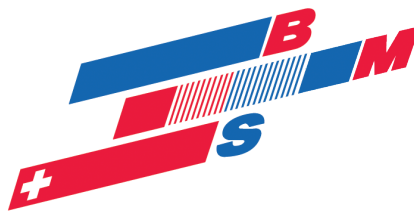
Doppel-Register-Pufferspeicher 800 - 5000 Liter



800 - 5000



800 - 5000



Doppel-Register-Pufferspeicher 800 - 5000 Liter

Verwendung Usage Utilisation Uso	Dimension Dimension Dimension Dimensione	800	900	1000	1050	1250	1500	1600	1800	1950	2000	2500	3000	4000	5000
Inhalt Capacity Contenance Contenuto	l	718	870	887	996	1266	1500	1555	1830	2005	2021	2304	2852	3759	5003
Glattrohrwärmetauscher Heating coil Échangeurs de chaleur Serpentino	m ²	1.8	1.5	2.4	2.4	2.4	2.6	2.6	2.6	2.3	3.1	2.6	3.3	3.1	3.5
	l	11.8	9.8	15.7	15.7	15.7	17.0	17.0	17.0	15.1	20.3	17.0	21.6	20.3	22.9
	m ²	2.8	3.1	3.1	3.1	3.1	3.6	3.7	3.7	3.0	4.2	4.2	4.2	5.4	6.1
	l	18.3	20.3	20.3	20.3	20.3	23.6	24.3	24.3	19.7	27.5	27.5	27.5	35.3	39.9
Kippmass Tilted dimension Cote de basculement Altezza in raddrizzamento	mm	1740	1800	2085	2020	2070	2195	1930	2170	2060	2420	2395	2780	2935	3035
P Einbringmass Delivery dimensions Cote de mise en place Ingombro	100 mm	800	850	800	850	950	1000	1100	1100	1250	1100	1250	1250	1400	1600
	130 mm	840	890	840	890	970	1010	1100	1100	1250	1100	1250	1250	1400	1600
	160 mm	890	930	890	930	1100	1050	1130	1130	1250	1130	1250	1250	1400	1600
B Höhe ohne Isolierung Height without insulation Hauteur sans isolation Altezza senza isolamento	mm	1690	1770	2040	2000	2010	2150	1900	2152	2060	2370	2280	2720	2835	2870
D Ø ohne Isolierung without insulation sans isolation senza isolamento	mm	790	850	790	850	950	1000	1100	1100	1250	1100	1250	1250	1400	1600
E* Anschluss 1 Connection Raccord Collegamento	↕ - mm	260	310	310	310	310	380	320	320	495	320	535	380	505	400
	G" - G"	1 1/2"	1 1/2"	1 1/2"	1 1/2"	1 1/2"	2"	2"	1 1/2"	2"	2"	2"	2"	2"	2"
	↻ - G"	1/2"	1/2"	1/2"	1/2"	1/2"	1/2"	1/2"	1/2"	1/2"	1/2"	1/2"	1/2"	1/2"	1/2"
F* Anschluss 2 Connection Raccord Collegamento	↕ - mm	630	700	745	745	745	825	740	820	875	900	975	1020	1110	1100
	G" - G"	1 1/2"	1 1/2"	1 1/2"	1 1/2"	1 1/2"	2"	2"	1 1/2"	2"	2"	2"	2"	2"	2"
	↻ - G"	1/2"	1/2"	1/2"	1/2"	1/2"	1/2"	1/2"	1/2"	1/2"	1/2"	1/2"	1/2"	1/2"	1/2"
G* Anschluss 3 Connection Raccord Collegamento	↕ - mm	1030	1080	1250	1250	1250	1350	1150	1320	1255	1490	1415	1680	1860	1810
	G" - G"	1 1/2"	1 1/2"	1 1/2"	1 1/2"	1 1/2"	2"	2"	1 1/2"	2"	2"	2"	2"	2"	2"
	↻ - G"	1/2"	1/2"	1/2"	1/2"	1/2"	1/2"	1/2"	1/2"	1/2"	1/2"	1/2"	1/2"	1/2"	1/2"
H* Anschluss 4 Connection Raccord Collegamento	↕ - mm	1430	1470	1710	1710	1710	1760	1570	1820	1635	2020	1855	2330	2410	2520
	G" - G"	1 1/2"	1 1/2"	1 1/2"	1 1/2"	1 1/2"	2"	2"	1 1/2"	2"	2"	2"	2"	2"	2"
	↻ - G"	1/2"	1/2"	1/2"	1/2"	1/2"	1/2"	1/2"	1/2"	1/2"	1/2"	1/2"	1/2"	1/2"	1/2"
I Anschluss oben Connection above Raccord du haut Collegamento superiore	↕ - mm	1690	1770	2040	2050	2010	2150	1900	2152	2010	2370	2280	2720	2835	2870
	G" - G"	1 1/4"	3/4"	1 1/4"	1 1/4"	1 1/4"	1 1/4"	1 1/4"	3/4"	1 1/4"	1 1/4"	1 1/4"	1 1/4"	1 1/4"	1 1/4"
J VL Glattrohrwärmetauscher unten Bottom heating coil Échangeurs de chaleur bas Serpentino inferiore	↕ - mm	930	990	1030	990	1015	1180	970	970	1025	1120	1250	1430	1555	1580
	G" - G"	1"	1"	1"	1"	1"	1"	1"	1"	1"	1"	1"	1"	1"	1"
K RL Glattrohrwärmetauscher unten Bottom heating coil Échangeurs de chaleur bas Serpentino inferiore	↕ - mm	260	310	310	310	300	380	320	320	495	320	535	480	505	580
	G" - G"	1"	1"	1"	1"	1"	1"	1"	1"	1"	1"	1"	1"	1"	1"
L VL Glattrohrwärmetauscher oben Top heating coil Échangeurs de chaleur haut Serpentino superiore	↕ - mm	1430	1470	1700	1710	1695	1760	1570	1820	1635	2020	1855	2330	2340	2290
	G" - G"	1"	1"	1"	1"	1"	1"	1"	1"	1"	1"	1"	1"	1"	1"
M RL Glattrohrwärmetauscher oben Top heating coil Échangeurs de chaleur haut Serpentino superiore	↕ - mm	1070	1170	1160	1230	1155	1260	1190	1440	1320	1420	1415	1530	1860	1810
	G" - G"	1"	1"	1"	1"	1"	1"	1"	1"	1"	1"	1"	1"	1"	1"
T Bodenmuffe Ground fitting Manchon de fond Manicotto a pavimento	↕ - mm	-	-	-	-	-	-	-	-	110	-	110	100	75	50
	G" - G"	-	-	-	-	-	-	-	-	1 1/4"	-	1 1/4"	1 1/4"	1 1/4"	1 1/4"
O Anordnung Fühler Positioning sensor Disposition sonde Disposizione sensore	°	28.0	29.8	28.0	29.8	32.0	33.0	34.5	34.5	36.0	34.5	36.0	36.0	37.5	39.0
Gewicht Weight Poids Peso	kg	165	150	196	201	242	262	269	240	290	312	343	401	482	536
Max. Einbaulänge von Elektroheizungen Max. installation length of electric heaters Longueur max. d'installation des chauffages électriques Lunghezza massima di installazione dei riscaldatori elettrici	mm	790	850	790	850	950	1000	1100	1100	1250	1100	1250	1250	1400	1600

*Einbaumöglichkeit: 1 x Elektroheizung zum Einschrauben
Installation option: 1 x Screw-in Immersion heater | Option d'installation: 1 x Résistances à visser | Opzione di installazione: 1 x Resistenza elettrica da avvitare