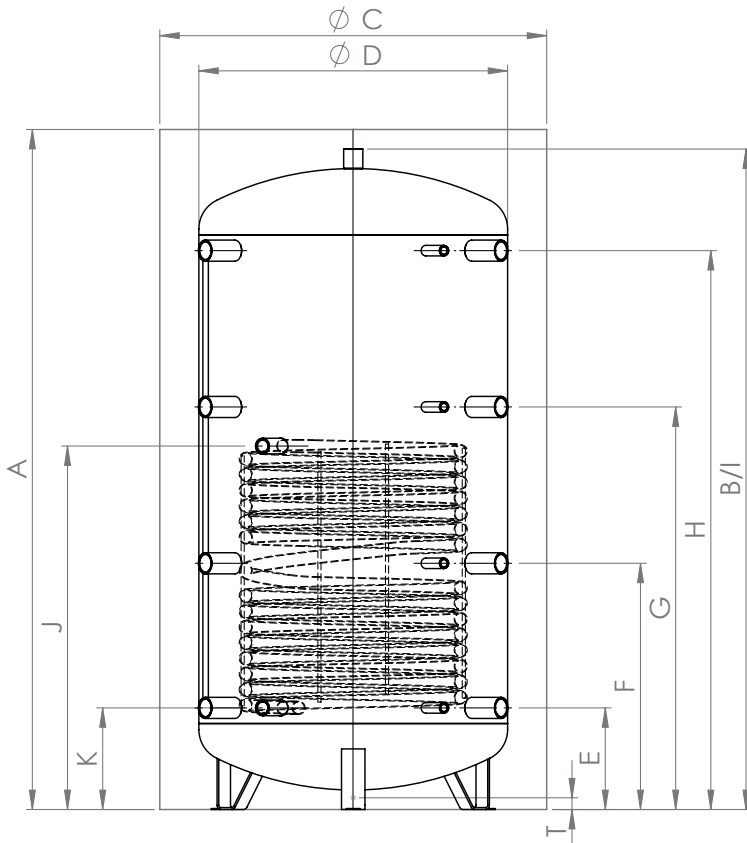
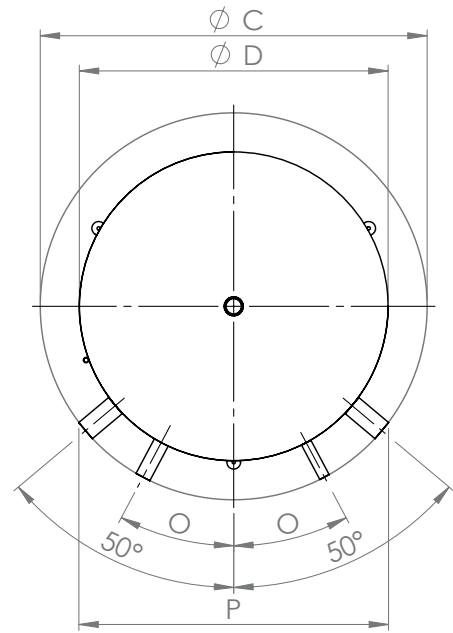




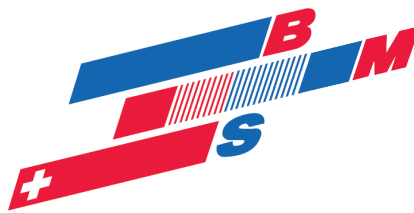
## Register-Pufferspeicher 500 - 5000 Liter



500 – 5000



500 – 5000



## Register-Pufferspeicher 500 - 5000 Liter

	Verwendung Usage Utilisation Uso	Dimension Dimension Dimensione	500	600	800	900	1000	1050	1250	1500	1600	1800	1950	2000	2500	3000	4000	5000
	Inhalt Capacity   Contenance   Contenuto	l	480	560	718	870	887	996	1266	1500	1555	1830	2005	2021	2304	2852	3759	5003
	Glattröhrwärmetauscher Heating coil   Échangeurs de chaleur   Serpentino	m <sup>2</sup>	2.3	1.8	2.8	3.1	3.1	3.1	3.1	3.6	3.7	3.7	3.0	4.2	4.2	4.2	5.4	6.1
		l	15.1	11.8	18.3	20.3	20.3	20.3	20.3	23.6	24.3	24.3	19.7	27.5	27.5	27.5	35.3	39.9
	Kippmass Tilted dimension   Cote de basculement   Altezza in raddrizzamento	mm	1665	1690	1740	1800	2085	2020	2070	2195	1930	2170	2060	2420	2395	2780	2935	3035
P	Einbringmass Delivery dimensions   Cote de mise en place   Ingombro	100 mm	690	740	800	850	800	850	950	1000	1100	1100	1250	1100	1250	1250	1400	1600
		130 mm	740	780	840	890	840	890	970	1010	1100	1100	1250	1100	1250	1250	1400	1600
	160 mm	780	820	890	930	890	930	1100	1050	1130	1130	1250	1130	1250	1250	1400	1600	
B	Höhe ohne Isolierung Height without insulation   Hauteur sans isolation   Altezza senza isolamento	mm	1630	1650	1690	1770	2040	2000	2010	2150	1900	2152	2060	2370	2280	2720	2835	2870
D	Ø ohne Isolierung without insulation   sans isolation   senza isolamento	mm	650	700	790	850	790	850	950	1000	1100	1100	1250	1100	1250	1250	1400	1600
E*	Anschluss 1 Connection   Raccord   Collegamento	- mm	220	230	260	310	310	310	310	380	320	320	495	320	535	380	505	400
		G"	1 1/2"	1 1/2"	1 1/2"	1 1/2"	1 1/2"	1 1/2"	1 1/2"	2"	2"	1 1/2"	2"	2"	2"	2"	2"	2"
		- G"	1/2"	1/2"	1/2"	1/2"	1/2"	1/2"	1/2"	1/2"	1/2"	1/2"	1/2"	1/2"	1/2"	1/2"	1/2"	1/2"
F*	Anschluss 2 Connection   Raccord   Collegamento	- mm	620	610	630	700	745	745	745	825	740	820	875	900	975	1020	1110	1100
		G"	1 1/2"	1 1/2"	1 1/2"	1 1/2"	1 1/2"	1 1/2"	1 1/2"	2"	2"	1 1/2"	2"	2"	2"	2"	2"	2"
		- G"	1/2"	1/2"	1/2"	1/2"	1/2"	1/2"	1/2"	1/2"	1/2"	1/2"	1/2"	1/2"	1/2"	1/2"	1/2"	1/2"
G*	Anschluss 3 Connection   Raccord   Collegamento	- mm	1010	990	1030	1080	1250	1250	1250	1350	1150	1320	1255	1490	1415	1680	1860	1810
		G"	1 1/2"	1 1/2"	1 1/2"	1 1/2"	1 1/2"	1 1/2"	1 1/2"	2"	2"	1 1/2"	2"	2"	2"	2"	2"	2"
		- G"	1/2"	1/2"	1/2"	1/2"	1/2"	1/2"	1/2"	1/2"	1/2"	1/2"	1/2"	1/2"	1/2"	1/2"	1/2"	1/2"
H*	Anschluss 4 Connection   Raccord   Collegamento	- mm	1390	1380	1430	1470	1710	1710	1710	1760	1570	1820	1635	2020	1855	2330	2410	2520
		G"	1 1/2"	1 1/2"	1 1/2"	1 1/2"	1 1/2"	1 1/2"	1 1/2"	2"	2"	1 1/2"	2"	2"	2"	2"	2"	2"
		- G"	1/2"	1/2"	1/2"	1/2"	1/2"	1/2"	1/2"	1/2"	1/2"	1/2"	1/2"	1/2"	1/2"	1/2"	1/2"	1/2"
I	Anschluss oben Connection above   Raccord du haut   Collegamento superiore	- mm	1630	1650	1690	1770	2040	2050	2010	2150	1900	2152	2010	2370	2280	2720	2835	2870
		G"	1 1/4"	1 1/4"	1 1/4"	3/4"	1 1/4"	1 1/4"	1 1/4"	1 1/4"	1 1/4"	3/4"	1 1/4"	1 1/4"	1 1/4"	1 1/4"	1 1/4"	1 1/4"
J	VL Glattröhrwärmetauscher Heating coil   Échangeurs de chaleur   Serpentino	- mm	1120	790	930	990	1030	990	1015	1180	970	970	1025	1120	1250	1430	1555	1580
		G"	1"	1"	1"	1"	1"	1"	1"	1"	1"	1"	1"	1"	1"	1"	1"	1"
K	RL Glattröhrwärmetauscher Heating coil   Échangeurs de chaleur   Serpentino	- mm	220	250	260	310	310	310	300	380	320	320	495	320	535	480	505	580
		G"	1"	1"	1"	1"	1"	1"	1"	1"	1"	1"	1"	1"	1"	1"	1"	1"
T	Bodenmuffe Ground fitting   Manchon de fond   Manicotto a pavimento	- mm	-	-	-	-	-	-	-	-	-	-	110	-	110	100	75	50
		G"	-	-	-	-	-	-	-	-	-	-	1 1/4"	-	1 1/4"	1 1/4"	1 1/4"	1 1/4"
O	Anordnung Fühler Positioning sensor   Disposition sonde   Disposizione sensore	°	23.5	28.0	28.0	29.8	28.0	29.8	32.0	33.0	34.5	34.5	36.0	34.5	36.0	36.0	37.5	39.0
	Gewicht Weight   Poids   Peso	kg	113	111	138	150	157	161	204	222	227	240	256	264	303	350	446	523
	Max. Einbaulänge von Elektroheizungen Max. installation length of electric heaters   Longueur maximale d'installation des chauffages électriques   Lunghezza massima di installazione dei riscaldatori elettrici	mm	650	700	790	850	790	850	950	1000	1100	1100	1250	1100	1250	1250	1400	1600

\*Einbaumöglichkeit: 1 x Elektroheizung zum Einschrauben  
Installation option: 1 x Screw-in Immersion heater | Option d'installation: 1 x Résistances à visser | Opzione di installazione: 1 x Resistenza elettrica da avvitare